

1. QR-plate XL key features

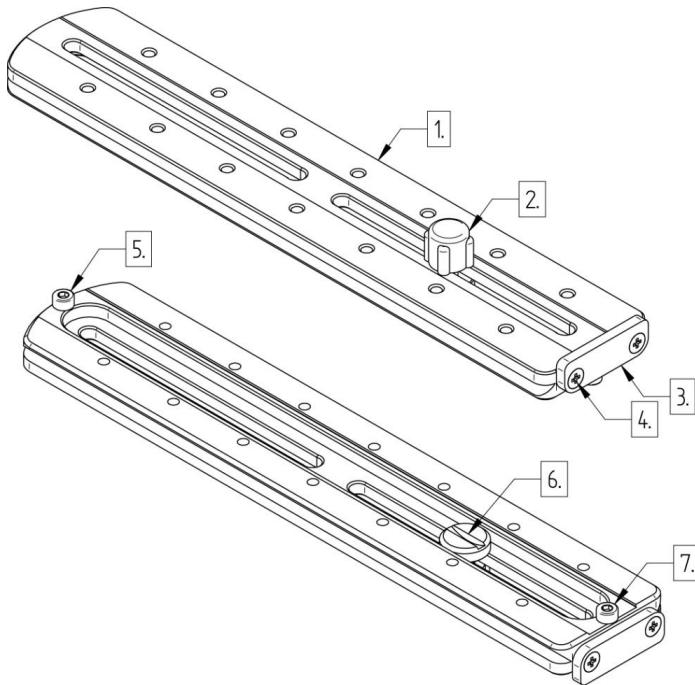


Figure 1 QR-plate XL.

- | | |
|----|---|
| 1. | QR dove tail plate with laser engraved mm scale (180mm) |
| 2. | 1/4" screw cap |
| 3. | End plate |
| 4. | M3x8 cross recess screw |
| 5. | Front safety stop |
| 6. | 1/4" camera screw |
| 7. | Back safety stop |

2. Operating the QR plate XL

The Cambo QR plate XL can be used to place the centre of gravity of your camera lens combination, or the nodal point of the lens, above the centre of your tripod head. To fit your personal demands the end plate can be fixed to the dove tail plate at eight different positions (spacing 25mm).

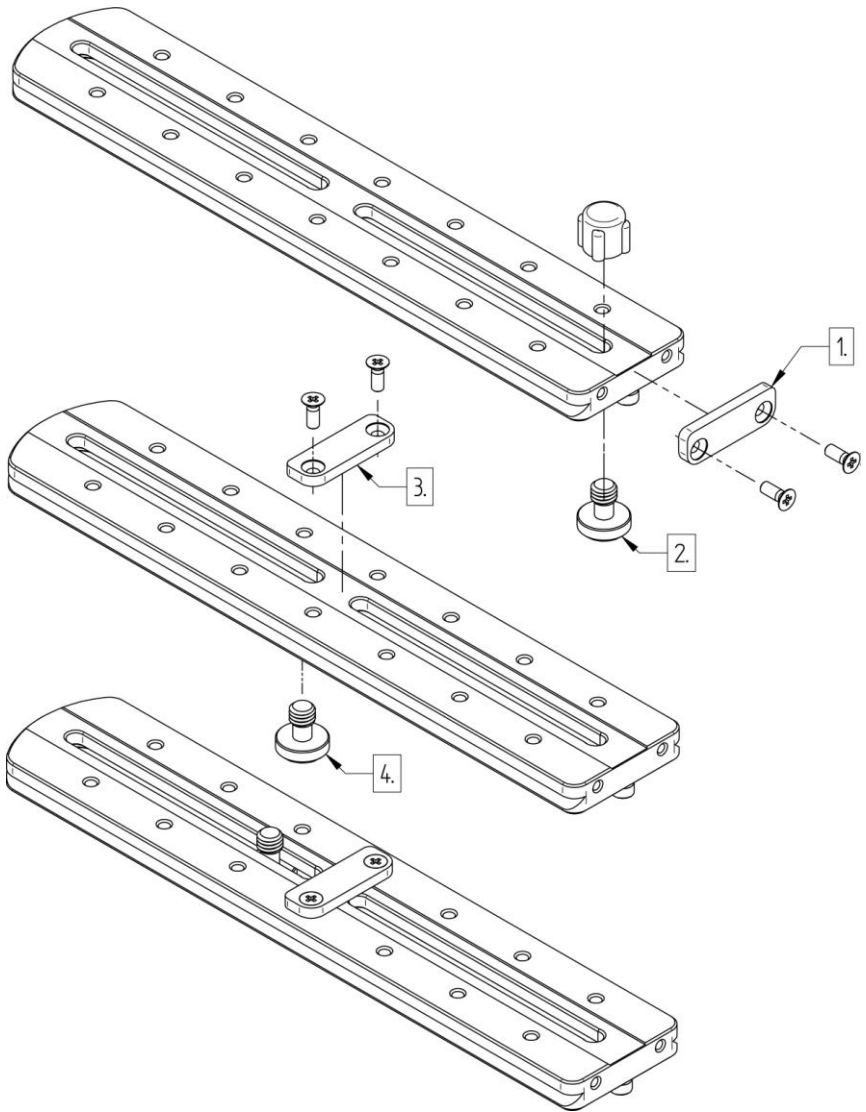


Figure 2 Repositioning the end plate.

1. Unscrew the end plate
2. Unscrew the 1/4" camera screw
3. Reposition the end plate
4. Reposition the 1/4" camera screw in the desired slot

1. QR-plate XL key features

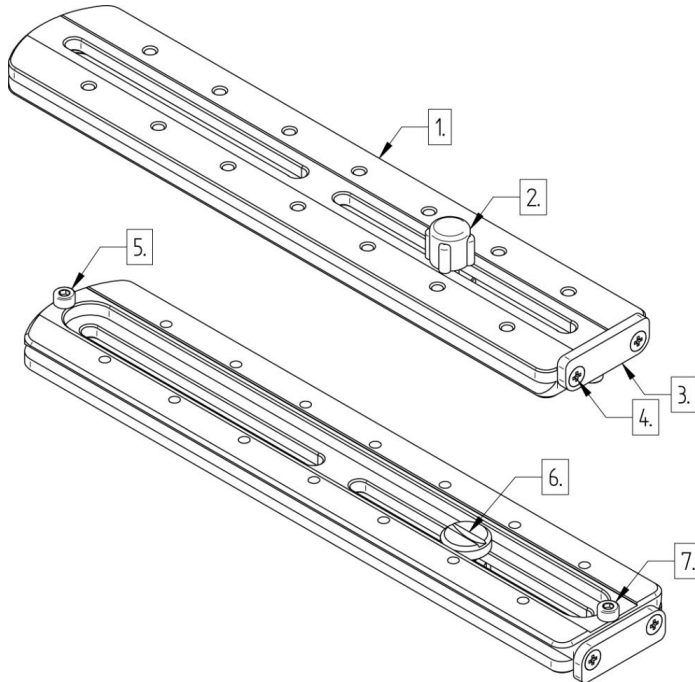


Figure 3 QR-plate XL.

- | | |
|----|---|
| 1. | QR dove tail plate with laser engraved mm scale (180mm) |
| 2. | 1/4" screw cap |
| 3. | End plate |
| 4. | M3x8 cross recess screw |
| 5. | Front safety stop |
| 6. | 1/4" camera screw |
| 7. | Back safety stop |

2. Operating the QR plate XL

The Cambo QR plate XL can be used to place the centre of gravity of your camera lens combination, or the nodal point of the lens, above the centre of your tripod head. To fit your personal demands the end plate can be fixed to the dove tail plate at eight different positions (spacing 25mm).

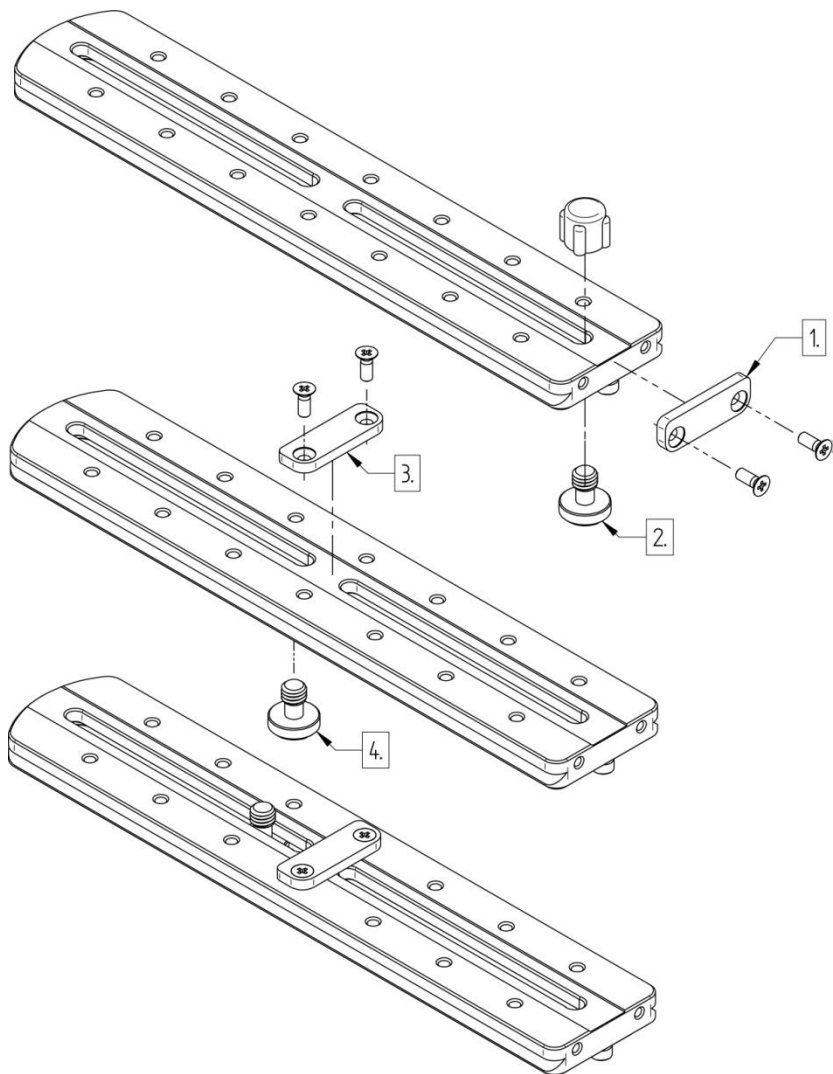


Figure 4 Repositioning the end plate.

1. Unscrew the end plate
2. Unscrew the 1/4" camera screw
3. Reposition the end plate
4. Reposition the 1/4" camera screw in the desired slot